

Microwavefilters® &

Microwave components for telecommunication systems

S-Bend Family



**From 4 GHz (WR187)
to 11 GHz (WR90)**

**Compact, high RL & with
captive screws included**

Microwavefilters & TVC srl

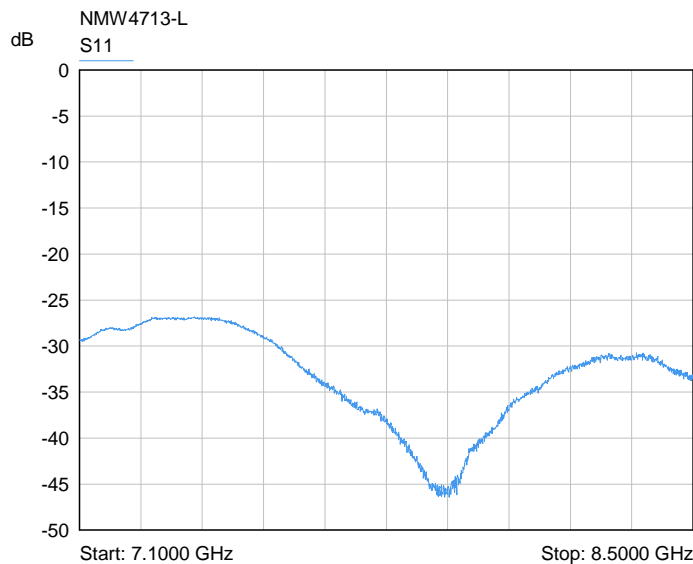
Via G. Cavalcanti, 10 - 20063 Cernusco s/N (MI) - ITALY
Tel. +39-02-92162703 Fax. +39-02-92162705

info@mw-tvc.com www.mw-tvc.com

Microwave components for telecommunication systems

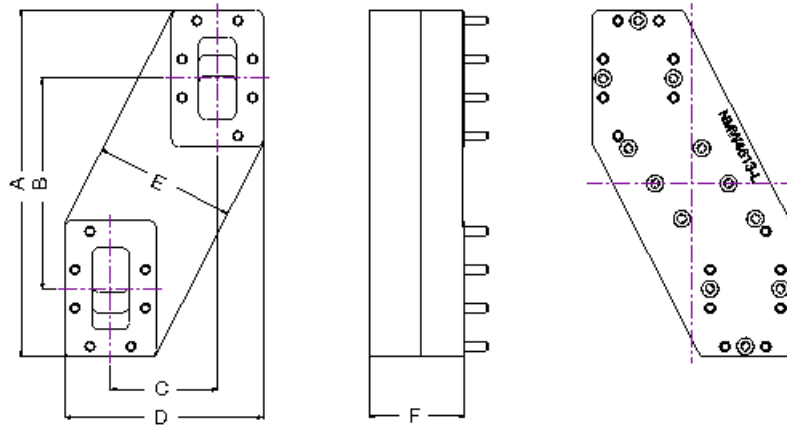
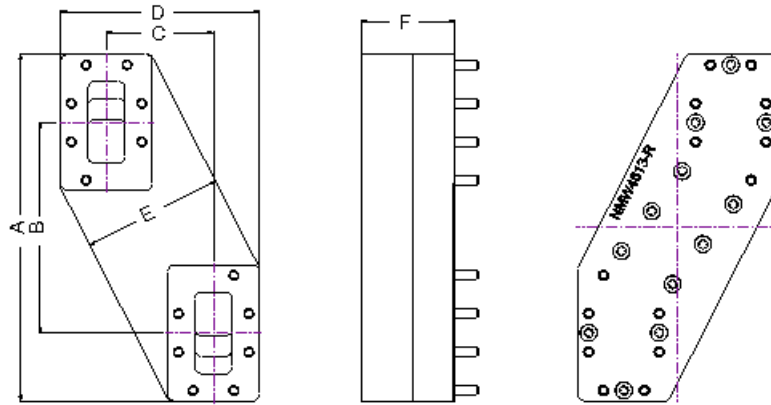
This new family of S-Bends is very practical for connecting diplexers, circulators and other waveguide devices in long-haul branching systems. Return Loss is ≥ 25 dB (typically 30 dB). Right-handed and left-handed versions are available.

P/N	Waveguide (IEC/EIA)	Frequency Range (GHz)	RL (dB)	IL (dB)	Input/Output	Notes
NMW4513-L NMW4513-R	R48/WR187	3.6 – 5.0	> 25 (typ. 30)	≤ 0.1	UER48 Compatible Flanges	Left-Handed version (-L) Right-Handed version (-R)
NMW4613-L NMW4613-R	R70/WR137	5.7 – 7.1	> 25 (typ. 30)	≤ 0.1	UER70 Compatible Flanges	Left-Handed version (-L) Right-Handed version (-R)
NMW4713-L NMW4713-R	R84/WR112	7.1 – 8.5	> 25 (typ. 30)	≤ 0.1	UER84 Compatible Flanges	Left-Handed version (-L) Right-Handed version (-R)
NMW4813-L NMW4813-R	R100/WR90	10.0 – 11.7	> 25 (typ. 30)	≤ 0.1	UER100 Compatible Flanges	Left-Handed version (-L) Right-Handed version (-R)



Typical frequency response

Right-Handed Version



Left-Handed Version

P/N Dimension (mm)	NMW4513	NMW4613	NMW4713	NMW4813
A	161.5	147.5	140.7	134.4
B	90.9	89.5	89.5	89.5
C	54.3	45.5	45.5	45.5
D	99.5	84.4	80.4	77.7
E	70	60	50	50
F	64	40	35	28